

HTM-1990R 19-inch HDTV/SDTV Multi-format Color Monitor

RoHS

Master Monitor



A new flat surface high resolution CRT with 0.25mm dot trio pitch and newly developed video processing circuitry are employed to achieve master monitor picture quality. Optional multi-SDI Modules accept HD-SDI or SD-SDI by auto detection.



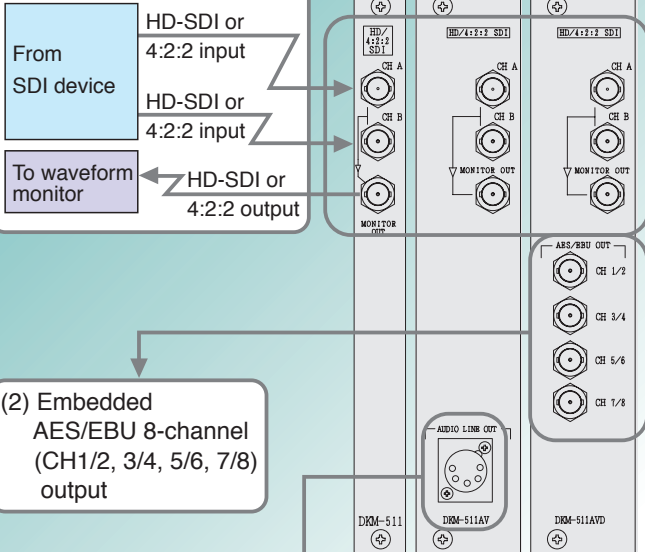
- | | | |
|-----------|---|------------------------------|
| 19-inch | Flat-face | 950TVL |
| VBS Input | Y, P _s , P _R /RGB Input | HD/SD-SDI Input |
| 4:3/16:9 | HD4:3 zoom | Remote (Parallel) |
| Shadow | Test Signal Generator | 4-Color-temperature-memory |
| 4-Plug-in | w450×h399×d515mm | 9RU |
| | | 37kg |
| | | 16:9mask |
| | | Embedded AES/EBU Output |
| | | Embedded Analog Audio Output |
| | | Embedded Audio Indicator |
| | | ASP-100 |
| | | ASP-CONV |
| | | Remote (Serial) |
| | | Remote (Infrared rays) |
| | | Auto Set-up |
| | | Marker |
| | | Chroma Up +12 dB |

▲ Option

Evolutional Feature for HTM-Series Multi-format Monitors

● Multi-Embedded SDI Input

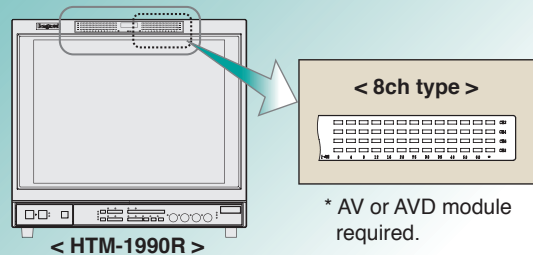
- (1) Multi SDI Input
HD/SD (4:2:2)
SDI signals



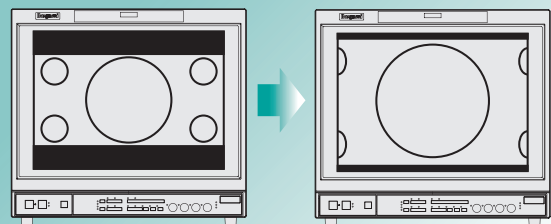
- (2) Embedded AES/EBU 8-channel (CH1/2, 3/4, 5/6, 7/8) output
- (3) Embedded Analog Audio 2-ch Output (CH1/2, 3/4, 5/6, 7/8):selectable by menu

● Multi-Embedded Audio Level Indicator

The audio level indicator can be mounted on the escutcheon this provides elimination of CRT burn-in and high visibility in a space saving design. Both video and audio levels can be monitored.



● HDTV 4:3 Area Zoom Function



Enlarging a 16:9 image until it fills the height of the 4:3 screen increases resolution and image size.

[Model]	16:9	4:3
HTM-1990R:	19"	24"

HTM Series Options

Optional Accessories for HTM-series Monitors

HTM1990R

Model	Description	Remarks
DKM-511A	Multi-SDI 2 Input Module (HD-SDI/SD-SDI)	SDI: 2 Inputs/1 Out (High performance)
DKM-511A-AV	Multi-SDI 2 Input and Embedded Audio Output Module	SDI: 2 Inputs/1 Out, 2ch Embedded Analog Audio Outputs
DKM-511A-AVD	Multi-SDI 2 Input and Embedded AES/EBU Output Module	SDI: 2 Inputs/1 Out, 8ch Embedded AES/EBU Outputs
DKM-511B	Multi-SDI 2 Input Module (HD-SDI/SD-SDI)	SDI: 2 Inputs/1 Out (Standard performance)
DAM-518	8ch Embedded Audio Level Indicator	DKM-511A-AV/AVD is required
DK-801A	SD-SDI Input Module	SD SDI 4:2:2 digital component, 2 Inputs / 2 Outputs
DE-811	NTSC/PAL Decoder Module	(Sampling Rate:14.3MHz)
RCT-30A	Infrared Remote Controller	
SRC-301Z	Serial Remote Controller	
MK-1905	16:9 Mask for 19-inch Monitor	Easy attachment/deattachment to bezel
A-TM20-16	Rack-mount hardware for 19-inch monitor	(Same as RS-2020)
TTM-20	Monitor slide rail for 19-inch/15-inch monitor	
ASP-100	Auto Setup Probe Unit	
ASP-CONV	Converter	Required when used with HTM-1990R/ASP-100

HTM Series Specifications

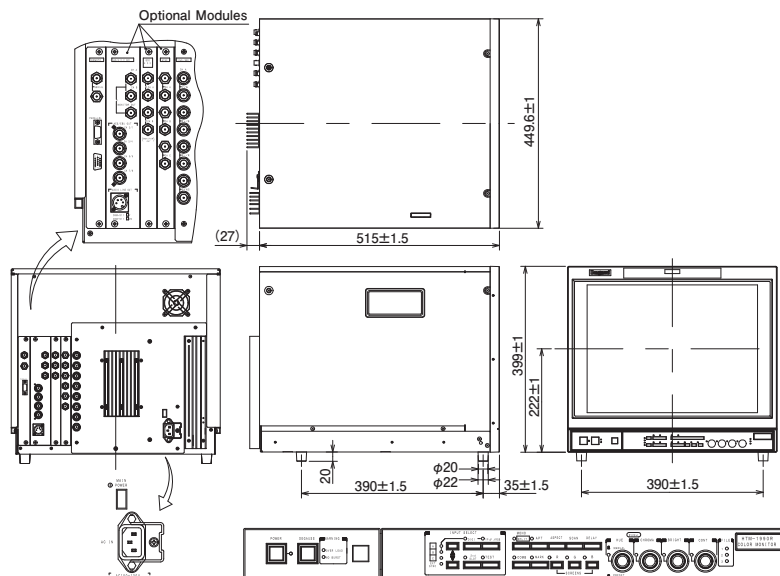
Model	CRT Size (Viewing Area)	Rack-mountable Space	Resolution	Dot Pitch	Input Signal					DC Input	Tally		Power Consumption	Dimensions mm	Weight Kg	
					VBS	Y, Pb, Pr, RGB	V/C	Multi-SDI	SD-SDI		Embedded Audio	R				G
HTM-1990R	19"	9 RU	950TVL	0.25mm	△ 3	○ 1	×	△ 2	△ 2	△ 2	×	×	○ R ○ G	240 W	W450 × H399 × D515	37kg



△ Option

HTM Series Dimensions

HTM-1990R



Unit:mm